

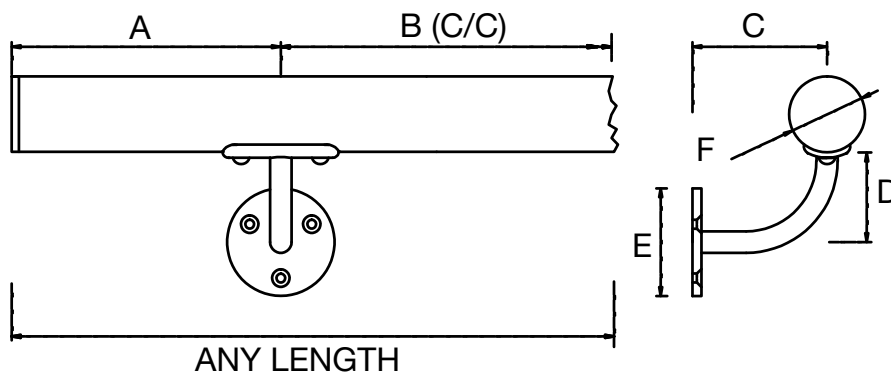
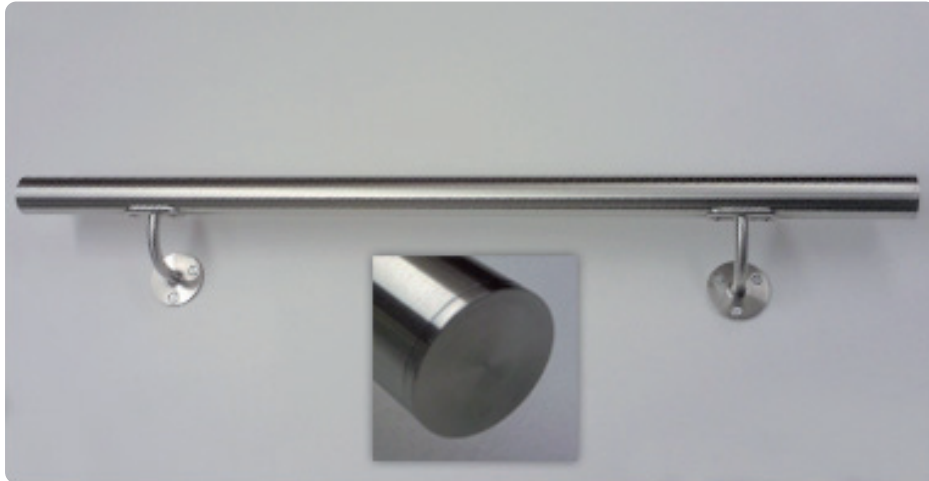
# ASH 1040 Balustrades & DDA Hand Rails Range



## Technical Specification

### Detailed Photography

### Technical Illustration



Style	A	B	C	D	E	F	Finish	Code
ASH 1040	150	1200 (C/C)	75	50	60	42	Polished Stainless	CP
							Satin Stainless	SS

\*\* Extra fixing points may be required on some sizes.  
Contact our technical department for assistance.

### Ordering Guide

Please use the following guide as an example when placing an order.

Style

ASH1040. PS

Finish

More ordering and fixing information can be found at the back of this catalogue

**ASH1040**