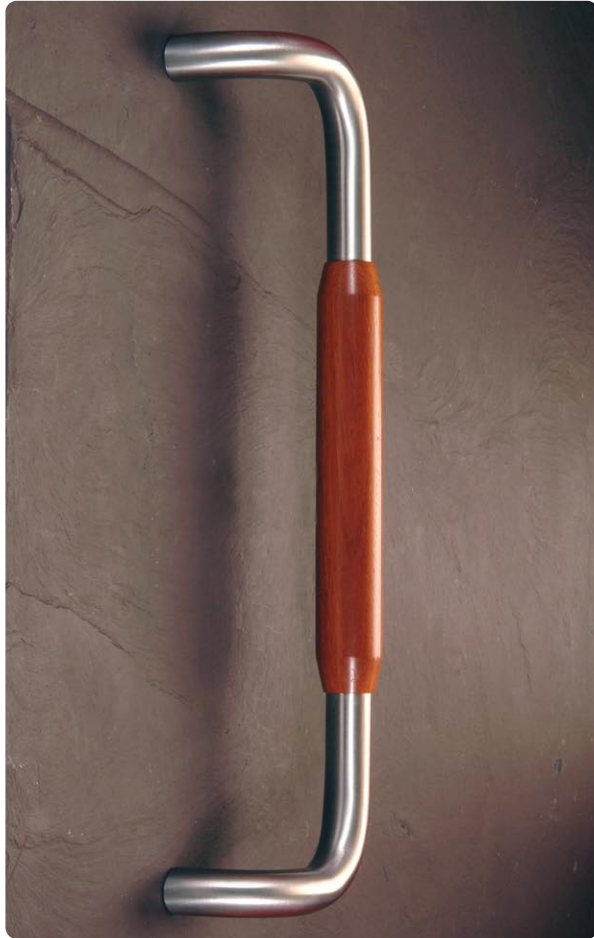


ASH503 Timber Range

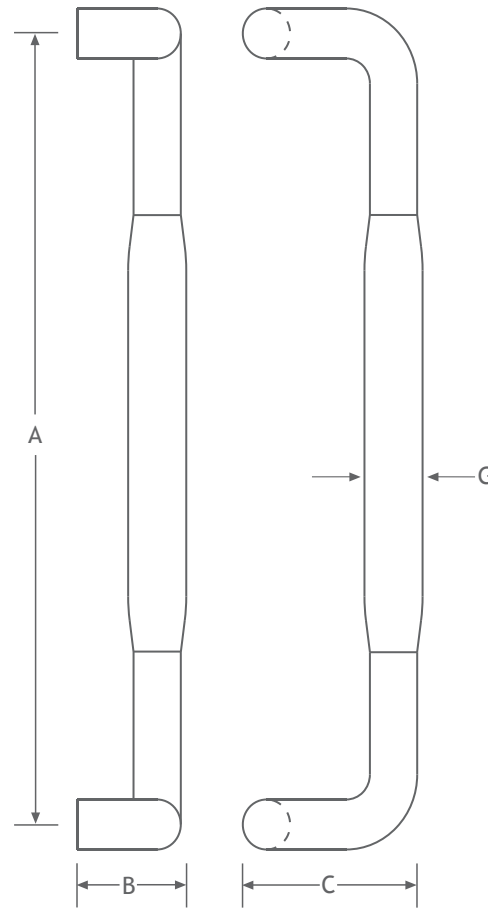


Technical Specification

61 Detailed Photography



Technical Illustration



Style	Diameter \varnothing	Centres(A)	Projection(B)	Throw(C)	Grip(G)	Finish	Code
ASH 503	32	up to 1200	95	150	50	Iroko	IR
						American Oak	AO
						Maple	MP
						Mahogany	BM
						Polished Stainless	PS
						Satin Stainless	SS

** Extra fixing points may be required on some sizes.
Contact our technical department for assistance.

Ordering Guide

Please use the following guide as an example when placing an order.

Style
Centres
Metal Parts

ASH503 . (38) . 600 . IR . PB . F2A

Diameter
Grip
Fixing kit

ASH 503

More ordering and fixing information can be found at the back of this catalogue